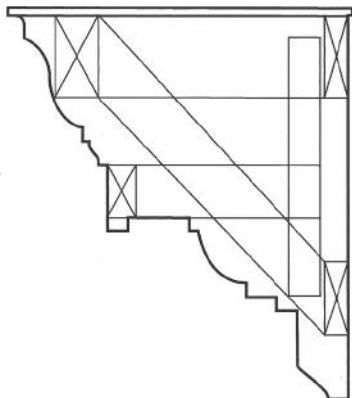


Cornice/Custom Fabrication

Design ingenuity and skilled craftsmanship inspire creative formmaking with our cornices and custom fabrications. From refreshing contemporary designs to historic reproductions, we have a full line of tooling to produce shapes to precise specifications. An ample selection of prefabricated dentils, finals and corners also provide easy installation for enhanced visual appeal.



Cornice/Custom Fabrication



Substrates available:

- Aluminum: .032", .040", .050", .063", .080", .090" and .125"
- Copper: 16 oz, 20 oz and 24 oz
- Lead-coated copper: 16 oz and 20 oz
- Stainless steel: 26ga, 24ga, 22ga and 20ga
- Galvanized steel: 18ga, 20ga, 22ga, and 24ga



Finishes and product warranty:

Available in a variety of coatings and colors by AkzoNobel. See the Drexel Metals color card for standard colors and paint specifications.



Galvalume® Substrate:
High-performance painted metal roofing product, carefully tensioned leveled for superior flatness.

35 YEAR WARRANTY
35-Year Non Pro-rated PVDF Paint Warranty

Aluminum Substrate:
High-performance painted metal roofing product, carefully tensioned leveled for superior flatness.

35 YEAR WARRANTY
35-Year Non Pro-rated PVDF Paint Warranty

Drexlume® Substrate:
Mill finished Galvalume® with a two-sided, clear acrylic finish.

25 YEAR WARRANTY
25-Year Non Pro-rated Drexlume Warranty (Acrylic Coated Galvalume)

Production options:

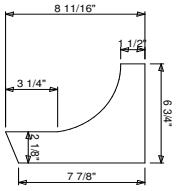
Factory made

Your heirloom design or architectural artifact, meticulously recreated in metal . . . crafted to last.

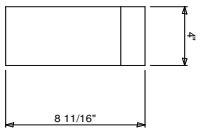


1421 S. Cooper St., Jackson, MI 49203
517-782-8884 phone • 517-782-8906 fax
info@jacksonamf.com

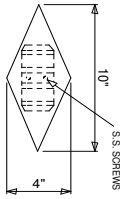




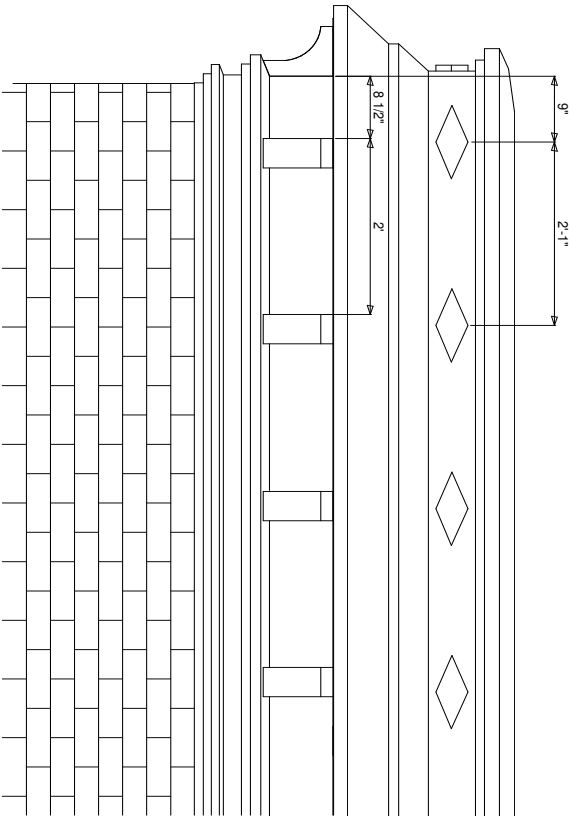
BRACKET SIDE ELEVATION
SCALE: 3" = 1'-0"



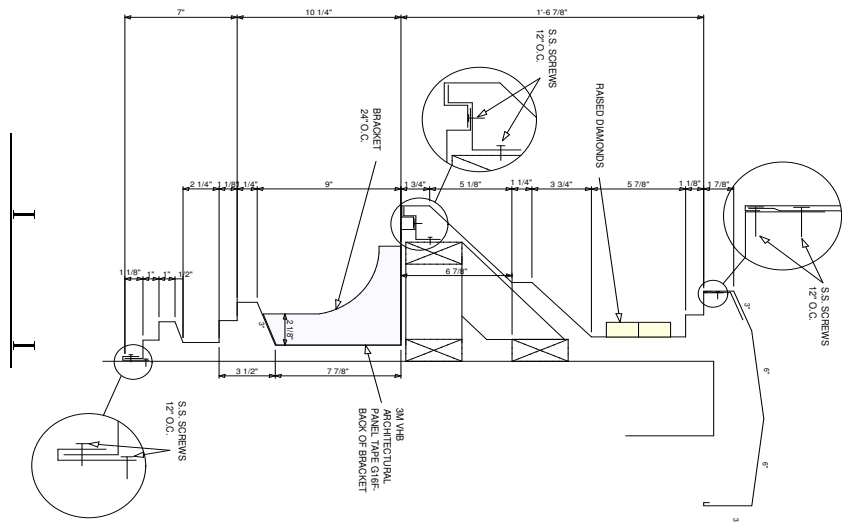
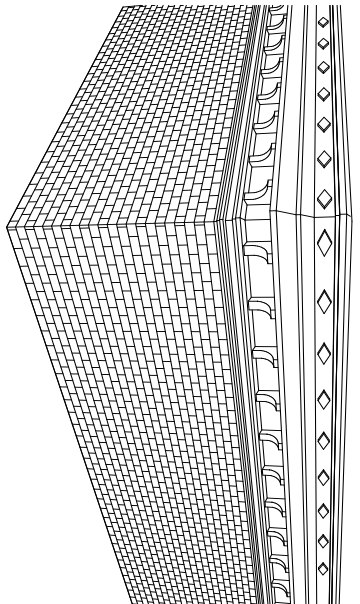
BRACKET END ELEVATION
SCALE: 3" = 1'-0"



RAISED DIAMOND ELEVATION
SCALE: 3" = 1'-0"

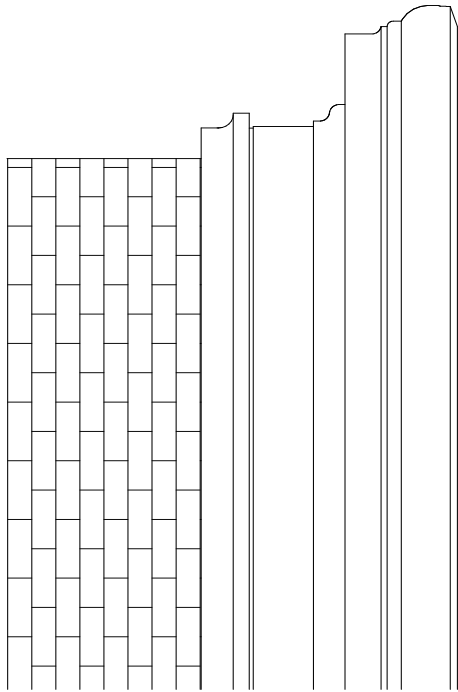
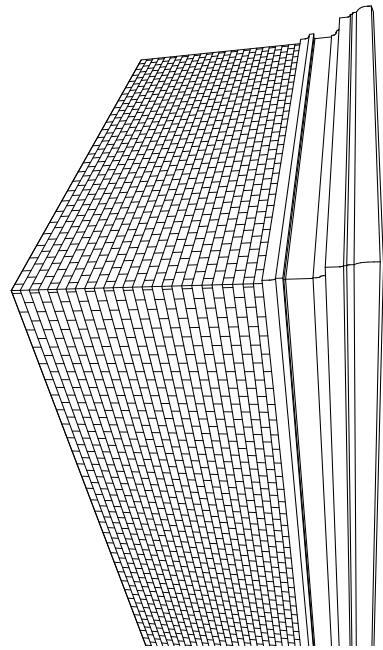


CORNICE ELEVATION
SCALE: 1 1/2" = 1'-0"



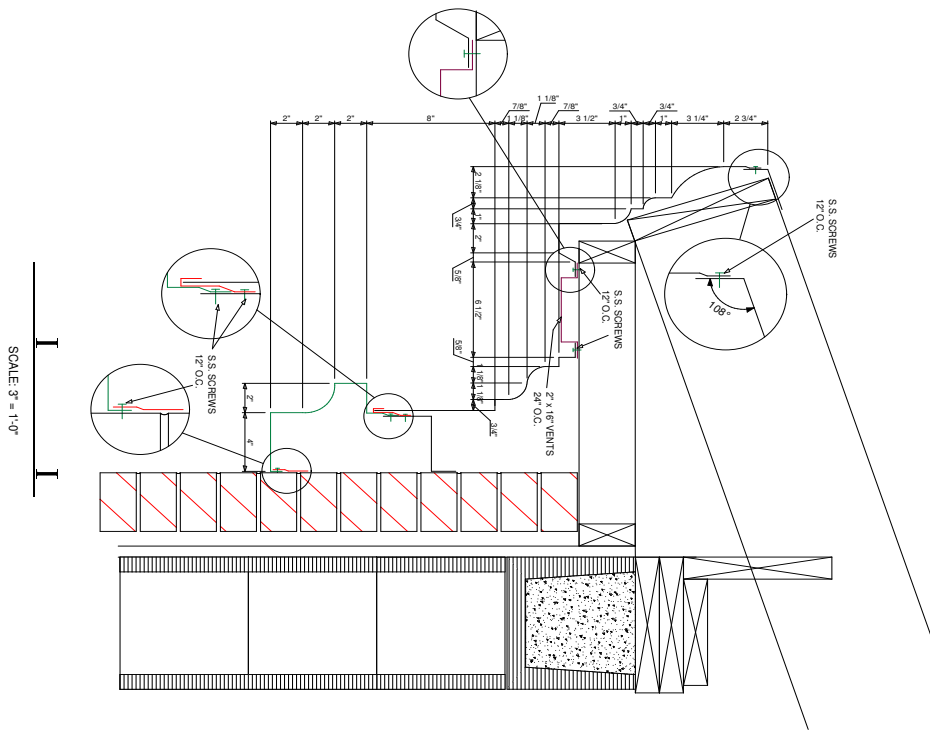
SCALE: 3" = 1'-0"

SHEET:	DATE:	PROJECT DESCRIPTION:	APPROVED BY:	DATE:	DRAWINGS PROVIDED BY:
	SCALE:	WOODLAND BUILDING DETAILS			CadPro Design
1-1/2" = 1'-0"	JAM 1421 S. Cooper Jackson, MI 49201	Woodland Building City of Syracuse UV Disinfection Treatment Syracuse, New York			7251 Hague Ave. Jackson, MI 49201 517-784-6053



CORNICE ELEVATION

SCALE: 1/2" = 1'-0"



JAM
1421 S. Cooper
Jackson, MI 49201

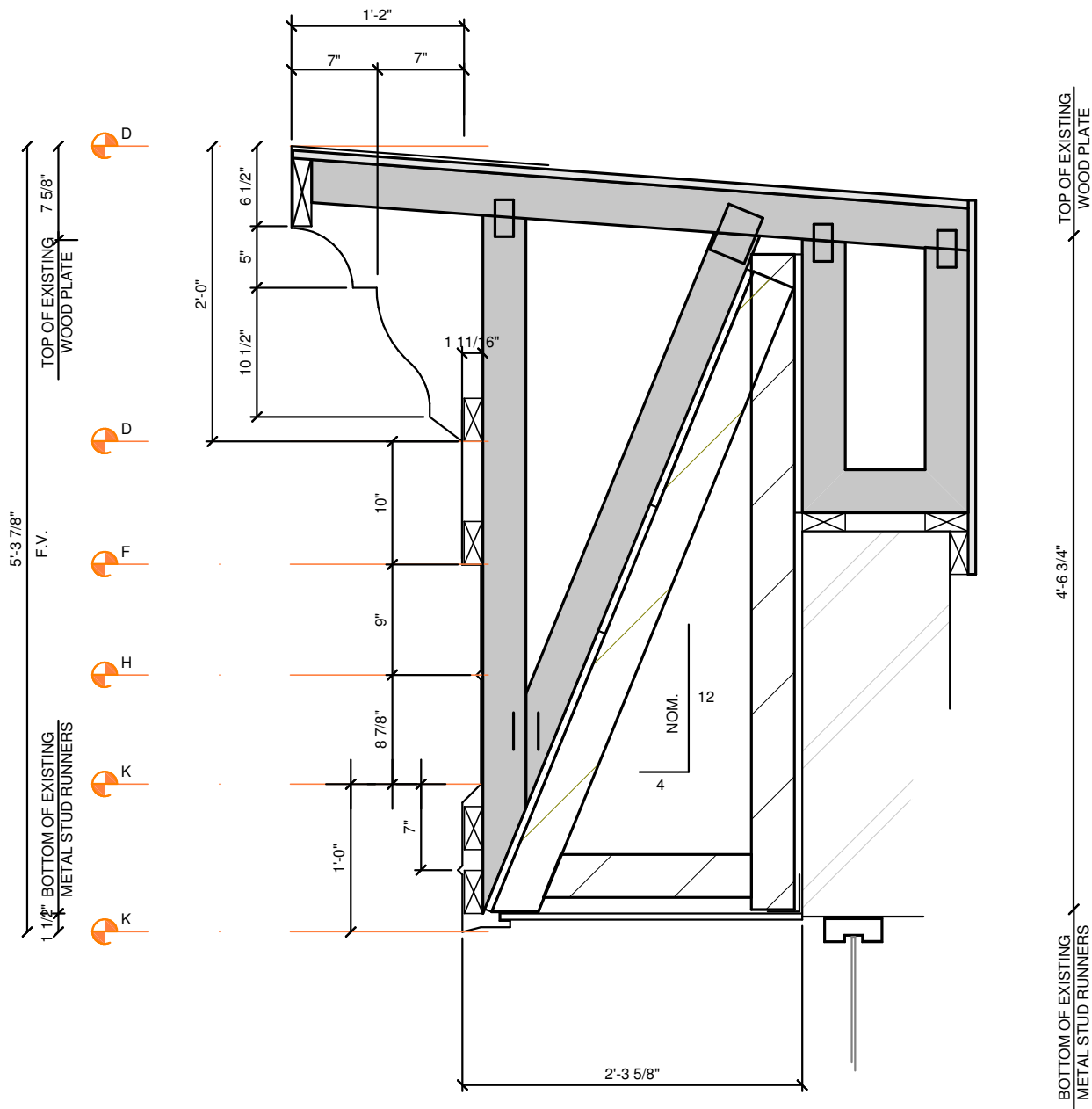
DATE:
3/8/2013

PROJECT DESCRIPTION:
Woodland Building Details

Woodland Building
City of Syracuse
UV Disinfection Treatment
Syracuse, New York

APPROVED BY: _____ DATE: _____

DRAWINGS PROVIDED BY:
CadPro Design
7251 Hague Ave.
Jackson, MI 49201
517-784-6053



03
A.12

NEW ROOF CORNICE DETAIL @ REAR TOWER AND BRIDGE

SCALE: 1" = 1'-0"

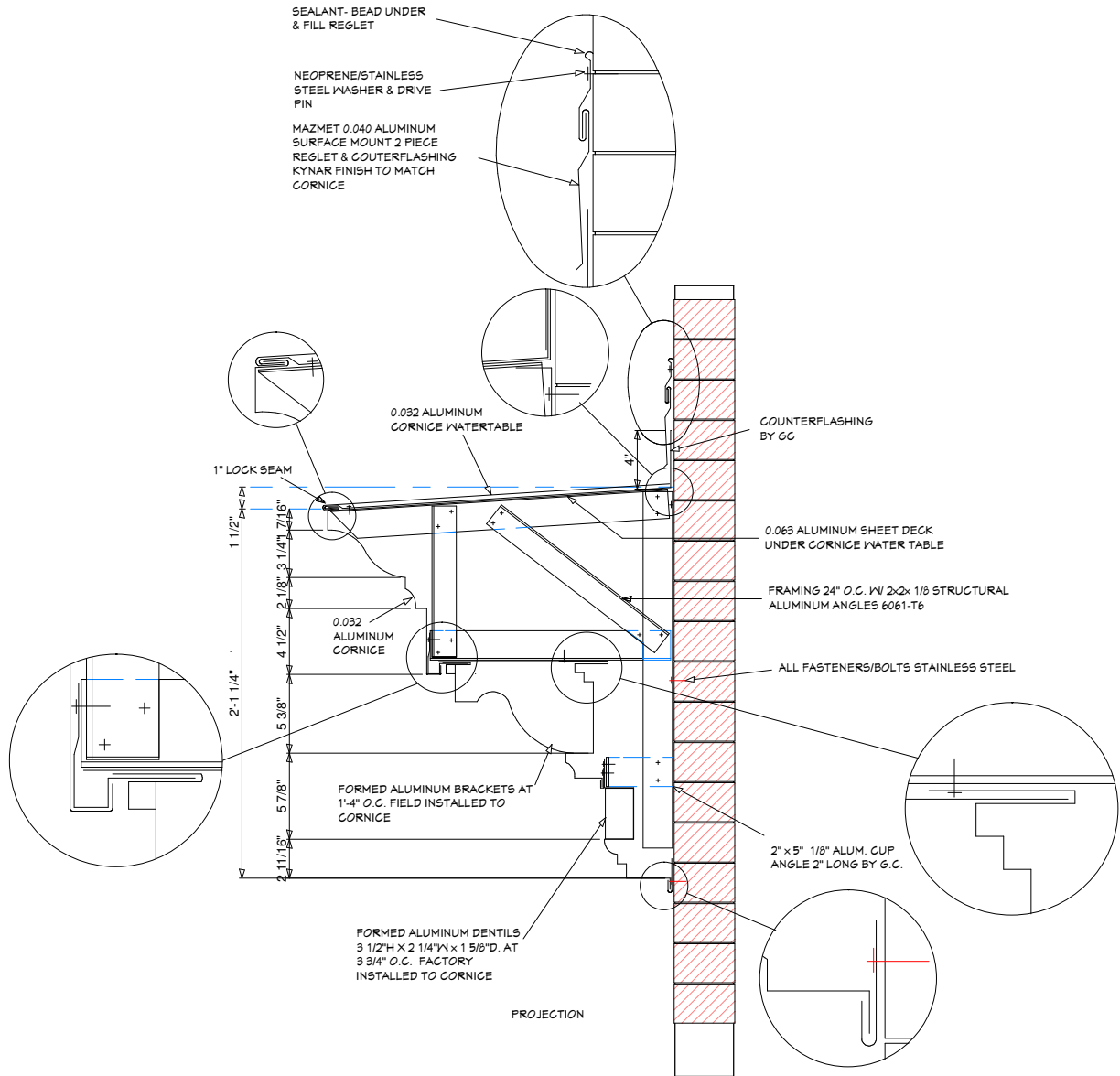
Standard Lengths: Custom Lengths Available: A-Dimension B-Dimension C-Dimension D-Dimension E-Dimension F-Dimension

Custom Drawing:	Material:	Lineal Feet 10'-0" Lengths
	28 ga SMP	
	26 ga SMP	
	26 ga Kynar	
	26 ga Galvalume Plus	
	24 ga Kynar	
	24 ga Galvalume Plus	
	22 ga Kynar	

1421 S. Cooper
Jackson, Mi 49203
www.jacksonamf.com

**Jackson Architectural
Metals L.L.C.**

PHONE: 517-782-8884
FAX: 517-782-8906
EMAIL: Mike@jacksonamf.com



MAIN BUILDING - ALUMINUM CORNICE

SCALE: 1 1/2" = 1'-0"

Standard Lengths: Custom Lengths Available: A-Dimension B-Dimension C-Dimension D-Dimension E-Dimension F-Dimension

Custom Drawing:	Material:	Lineal Feet 10'-0" Lengths
	28 ga SMP	
	26 ga SMP	
	26 ga Kynar	
	26 ga Galvalume Plus	
	24 ga Kynar	
	24 ga Galvalume Plus	
	22 ga Kynar	

1421 S. Cooper
Jackson, Mi 49203
www.jacksonamf.com

**Jackson Architectural
Metals L.L.C.**

PHONE: 517-782-8884
FAX: 517-782-8906
EMAIL: Mike@jacksonamf.com