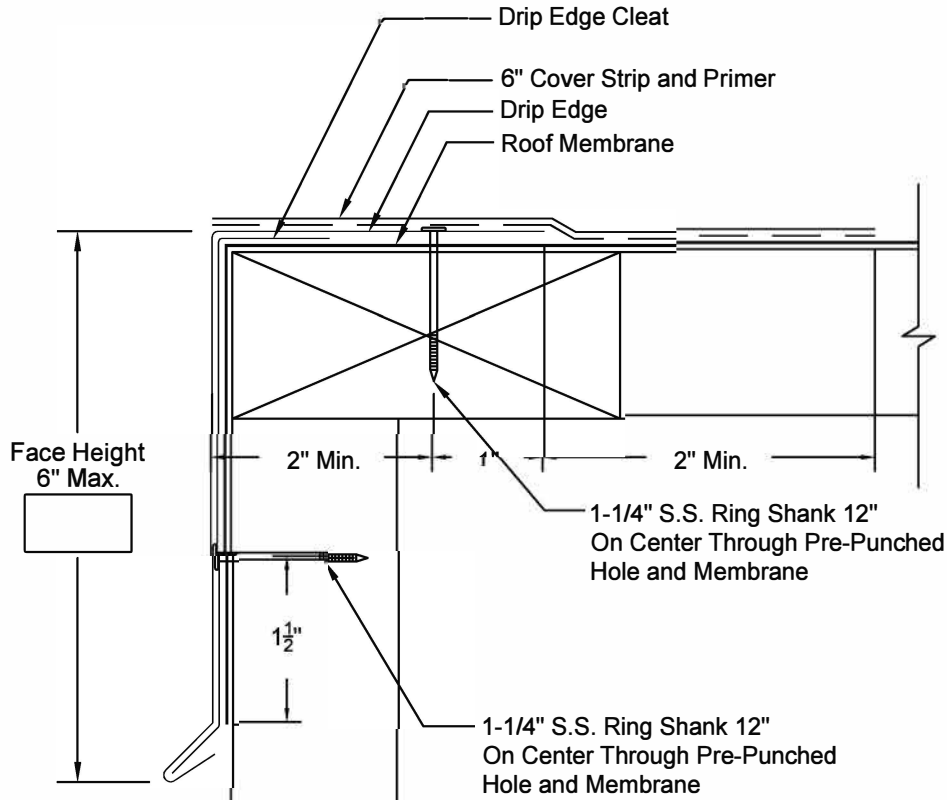


Drip Edge

Part number 1

ANSI/SPRI ES-1 CERTIFIED:



- Continuous Cleat and fasteners provided.
- Concealed Splice Plates provided.
- Continuous Cleat: 22GA 20GA

PRINT APPROVAL:

Architect and/or Contractor shall verify all dimensions, sizes, and quantities, All products to be installed in strict accordance with Jackson Architectural Metals printed instructions.

Approved By: _____

Date: _____

QUANTITIES:

Lineal Feet (10'-0" Lengths*): _____

Outside Miters** : _____ Optional Welded (Surcharge Applies)

Inside Miters** : _____ Optional Welded (Surcharge Applies)

Right End Caps** : _____ Optional Welded (Surcharge Applies)

Left End Caps** : _____ Optional Welded (Surcharge Applies)

Splice Plate Tape Sealant: Optional Sealant (Surcharge Applies)

* Optional lengths available up to 20'-0"

** Standard riveted

PROJECT:

ARCHITECT:

ROOFING CONTRACTOR:

REPRESENTATIVE:

MATERIAL:

24GA .040" AL

Other: _____ .050" AL

Finish: _____

Color: _____

Carlisle

Firestone

Other



Jackson Architectural Metals, LLC
 1421 S. Cooper St Jackson, MI 49203
 Phone (517) 782-8884/ Fax (517) 782-8906

www.jacksonamf.com