



1421 S. Cooper St, Jackson, MI 49203

Phone: (517) 782-8884

Fax: (517) 782-8906

info@jacksonamf.com

www.jacksonamf.com

## JA-1.5 SL Profile

Installation ease with impeccable results makes

The JA-1.5 SL roof system is a standout choice. The 1-1/2" Snap Lock profile and Clip create a continuous interlocking system that installs quickly, reducing labor costs. The concealed fastener and clip application also allow thermal expansion and contraction movement to help keep the beautiful finish straight and true.



*Ideal Application:*

*Commercial*

*Residential*

### Testing:

In accordance with:



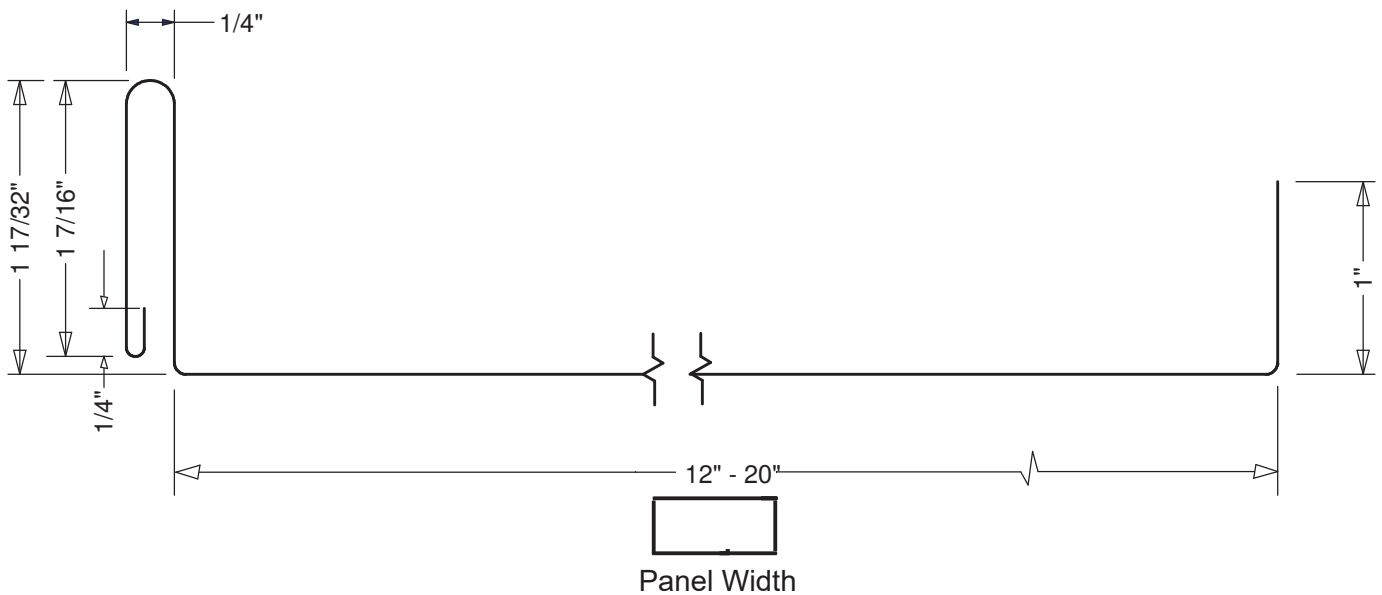
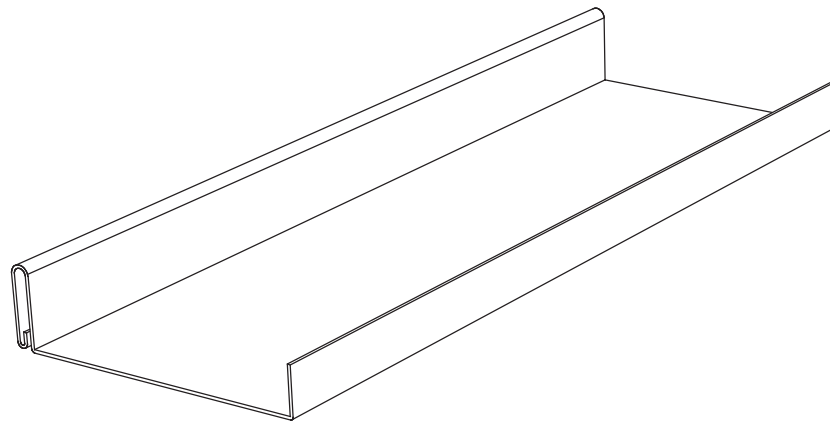
- UL 580 Wind Uplift (Class 90)
- UL 2218 Class 4 Hail Impact
- UL 263 Fire Certification
- UL 790 Class A Fire Rating
- UL Environmental – SRI Third-Party Verified
- Florida Building Code Approved





1421 S. Cooper St, Jackson, MI 49203  
 Phone: (517) 782-8884  
 Fax: (517) 782-8906  
 info@jacksonamf.com  
 www.jacksonamf.com

## JA-1.5 SL Profile



### JACKSON ARCHITECTURAL METAL FABRICATORS, LLC

Job Name/Purchase Order No.	Material:	"x"	Striation	Panel Bead	Color	Manufacturer:	"x"
_____	26 ga SMP					Carlisle	
_____	26 ga Kynar					CMG	
_____	26 ga Galvalume					Drexel	
_____	24 ga Kynar					East Lake Metals	
_____	24 ga Galvalume					Firestone	
	22 ga Kynar						
	26 ga Textured						

# STANDING SEAM ORDER FORM



DATE: \_\_\_\_\_

Purchase Order NO. \_\_\_\_\_

**Panel Type:**

JA-1.5NF

JA-1.5SL

JA-1.5 ME

JA-1.75SL

JA-2.0 ME

Striations: Yes    No

Panel Width: \_\_\_\_\_

Roof Pitch: \_\_\_\_\_

Color: \_\_\_\_\_

**Panel Quantity @ Panel Length    Panel Quantity @ Panel Length    Panel Quantity @ Panel Length**

@	@	@
@	@	@
@	@	@
@	@	@
@	@	@
@	@	@
@	@	@
@	@	@
@	@	@
@	@	@
@	@	@
@	@	@
@	@	@
@	@	@
@	@	@
@	@	@

**Trims:                      QUANTITY IN 10' LENGTH SEGMENTS**

2" Drip Edge: \_\_\_\_\_

3.5" Rake Edge: \_\_\_\_\_

Ridge Cap: \_\_\_\_\_

Vented Ridge Cap: \_\_\_\_\_

HeadWall Flashing: \_\_\_\_\_

SideWall Flashing: \_\_\_\_\_

Valley & Cleat \_\_\_\_\_

Z Channel: \_\_\_\_\_

Vented Z Channel: \_\_\_\_\_

Joggle Cleat: \_\_\_\_\_

Boots: \_\_\_\_\_

**Notes:**

---



---



---



---